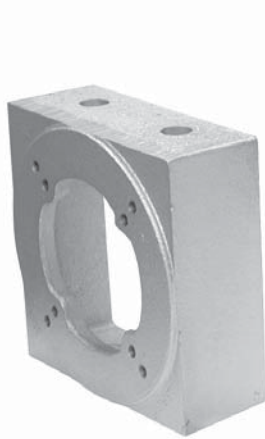


BLOCKS AND HOLDERS FOR CAGE BURNERS AND TORCH BURNERS

MODEL: 5760-B, 5760-BH

Revision: 0

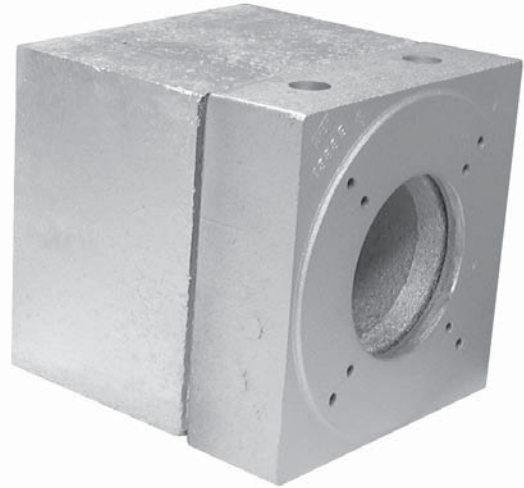
BULLETIN
5760



HOLDER



BLOCK



BURNER BLOCK & HOLDER

DESCRIPTION

Blocks are carefully designed to secure the best possible combustion results with the various nozzles used with them. Block holders are cast iron boxes into which the blocks are cemented.

The holders are faced smooth and drilled with bolt holes to

accommodate various burner cages (see Bulletin 5770). Each assembly includes 4 bolts to hold cage if field installation is being made. Complete assemblies of cages, blocks and holders are listed as Atmospheric Torch Burners, (Bulletin 3215, 3216, 3217) and Blast Torch Burners (Bulletin 3224, 3225).

Block & Holder Model Number	Block Control Number	Block & Holder Control Number	USED WITH			USED ON		
			Cage Model Number	Burners		Standard and Medium Pressure Series Torches	High Pressure Torches	Hi-Lo Torches
				A.N.	F.R.			
7 BH	01366 B3	01360 BO 4	10 BCA	10	10	10 & 100 RTA	1000 RTA	
			12 BCA	12		12 & 120 RTA		
			12 BCB	12	12	12 & 120 RTB	1200 RTB	12 HLT
			16 BCB		16		1600 RTB	
9 BH	01366 B5	01360 BO11	16 BCB	16		16 & 160 RTB		16 HLT
			20 BCB		20		2000 RTB	
			24 BCB		24		2400 RTB	
11 BH	01366 B6	01360 BO13	20 BCB	20		20 & 200 RTB		20 HLT
			24 BCB	24		24 & 240 RTB		24 HLT
			32 BCB		32		3200 RTB	
13 BH	01366 B7	01360 BO16	32 BCB	32		32 & 320 RTB		32 HLT
15 BH	01366 B8	01360 BO17	48 BCB		48		4800 RTB	
18 BH	----	04011 CO 1	48 BCC	48		48 & 480 RTB		48 HLT

CAUTION: Operation of combustion equipment can be hazardous resulting in bodily injury or equipment damage. Each burner should be supervised by a combustion safeguard and only qualified personnel should install, make system adjustments and perform any required service.



pyronics inc.

COMBUSTION FOR INDUSTRY
17700 MILES ROAD
CLEVELAND, OH 44128
www.pyronics.com

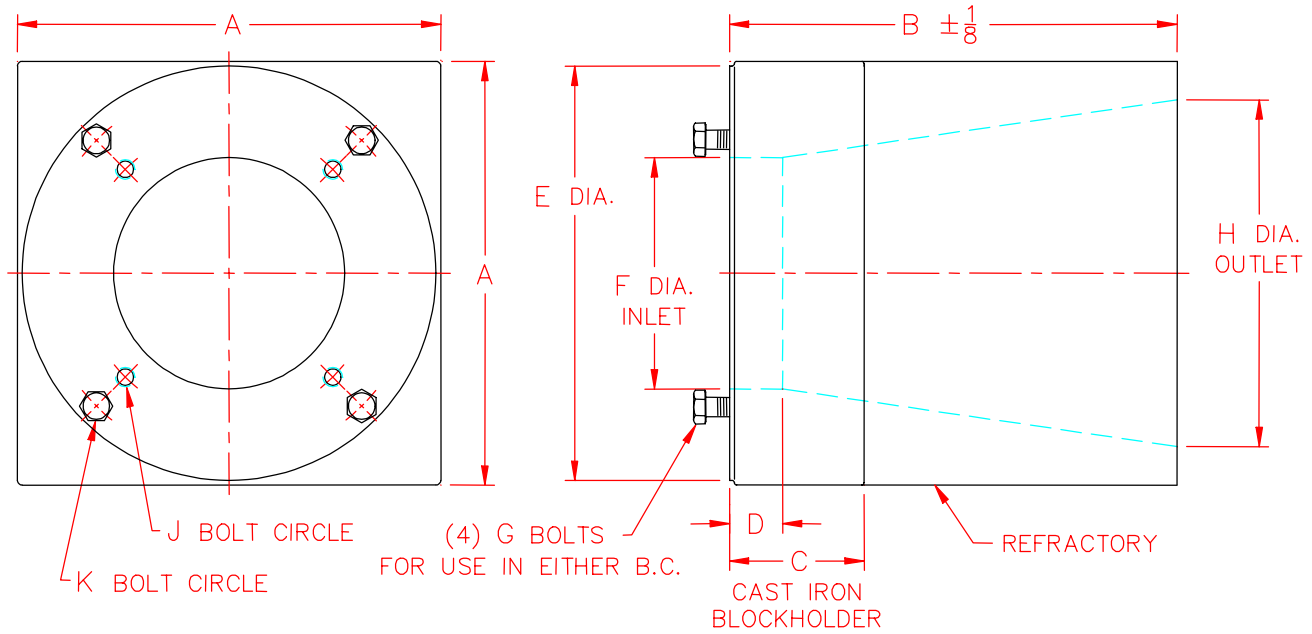
Tel: 216-662-8800
Fax: 216-663-8954
marketing@pyronics.com

NOTICE: PYRONICS practices a policy of continuous improvement in the design of its products. It reserves the right to change the specifications at any time without prior notice.

BLOCKS AND HOLDERS

BULLETIN 5760
PAGE NO. 2

DIMENSIONS -- 5760-BH SERIES



Block & Holder Model Number	A	B	C	D	E	F	G	H	J	K	Weight	
											Lbs.	Kgs.
7 BH	7	7-5/8	2-3/4	1-1/8	7	3-1/2	3/8" - 16 N.C.	5-1/4	4-7/8	6	26.5	12.0
9 BH	9	9-5/8	3	1-1/4	8-5/8	4-1/4	3/8" - 16 N.C.	6-1/2	6	7-5/8	51.0	23.1
11 BH	11	11-5/8	3-1/2	1-3/8	10-3/4	6	1/2" - 13 N.C.	9	7-5/8	9-3/4	88.2	40.0
13 BH	13	13-5/8	4-1/4	1-5/8	10-3/4	8-1/4	1/2" - 13 N.C.	11	9-3/4	11-3/4	125.7	57.0
15 BH	15	15-3/4	5-7/8	2-1/8	13	9-1/2	1/2" - 13 N.C.	12	11-3/4	16	-----	-----
18 BH	18	13	5	-----	-----	11	1/2" - 13 N.C.	13	-----	18-5/8	-----	-----

NOTE: All dimensions are in inches.

ORDERING INFORMATION

Please include the following information with your order:

1. Specify Model Number and Quantity each item required.
2. Shipping Instructions.