

HMCT FIRING TUBE ASSEMBLY

MODEL: 3722

Revision: 0

BULLETIN
3722

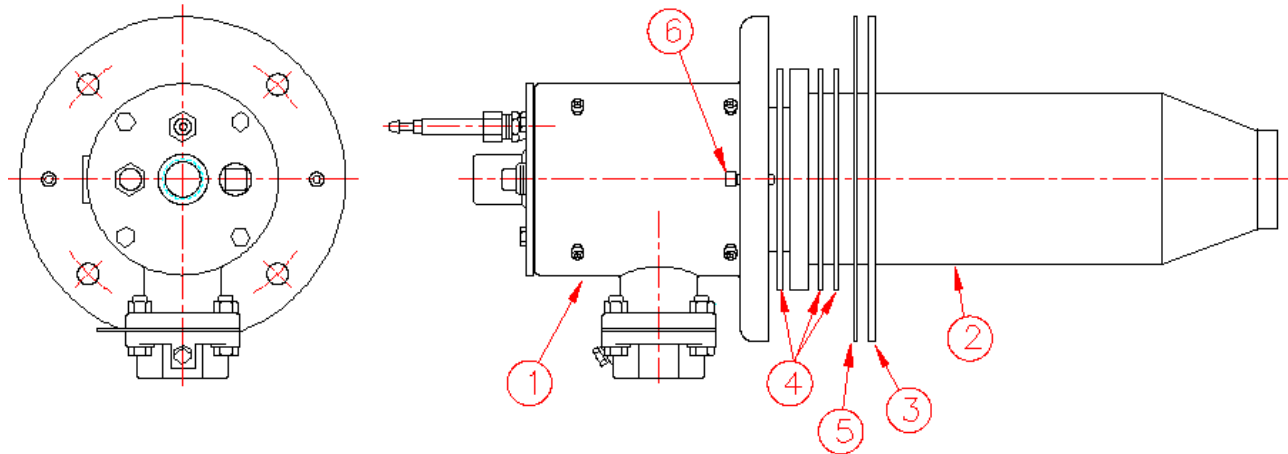
HMCT Tube Replacement

These instructions pertain to the Pyronics HMCT series burners. Please refer to the drawing below.

Replacement of Outer Tube:

- 1) In the mounting flange of the burner body, item 1, there is a machined groove that the outer tube, item 2, will fit into. First place one soft gasket, item 4, into the machined groove. Next the outer tube should be carefully installed over the inner tube and into the machined groove. By eye, center the outer tube with respect to the inner tube.
- 2) Place one hard gasket, item 5, over the outer tube and onto the mounting flange of the burner body. Align the four mounting holes and two smaller holes for the flange retention screws.
- 4) Place two soft gaskets, item 4, over the outer tube and center them by eye on the flange of the outer tube.
- 5) Slide the outer tube holding flange, item 3, over the outer tube being careful not to disturb the position of the soft gaskets or the outer tube. Carefully align the mounting holes and retention screw holes. Insert the retention screws, item 8, and tighten in a criss cross pattern until the holding flange is tight against the hard gasket.

The burner assembly is ready for installation.



CAUTION: Operation of combustion equipment can be hazardous resulting in bodily injury or equipment damage. Each burner should be supervised by a combustion safeguard and only qualified personnel should install, make system adjustments and perform any required service.

CAUTION: Operation of combustion equipment can be hazardous resulting in bodily injury or equipment damage. Each burner should be supervised by a combustion safeguard and only qualified personnel should install, make system adjustments and perform any required service.



pyronics inc.
COMBUSTION FOR INDUSTRY

17700 MILES AVE.
CLEVELAND, OHIO 44128
www.pyronics.com

PHONE: (216) 662-8800
FAX: (216) 663-8954
marketing@pyronics.com

NOTICE: Pyronics practices a policy of continuous improvement in the design of its products. It reserves the right to change the specifications at any time without prior notice.