

HMB ASSEMBLY

MODEL: 3712

Revision: 0

BULLETIN
3712

HMB Assembly and Tube Replacement

These instructions pertain to the Pyronics HMCT series burners. These burners are shipped with the inner tube loose and require some field assembly. Please refer to the drawing below.

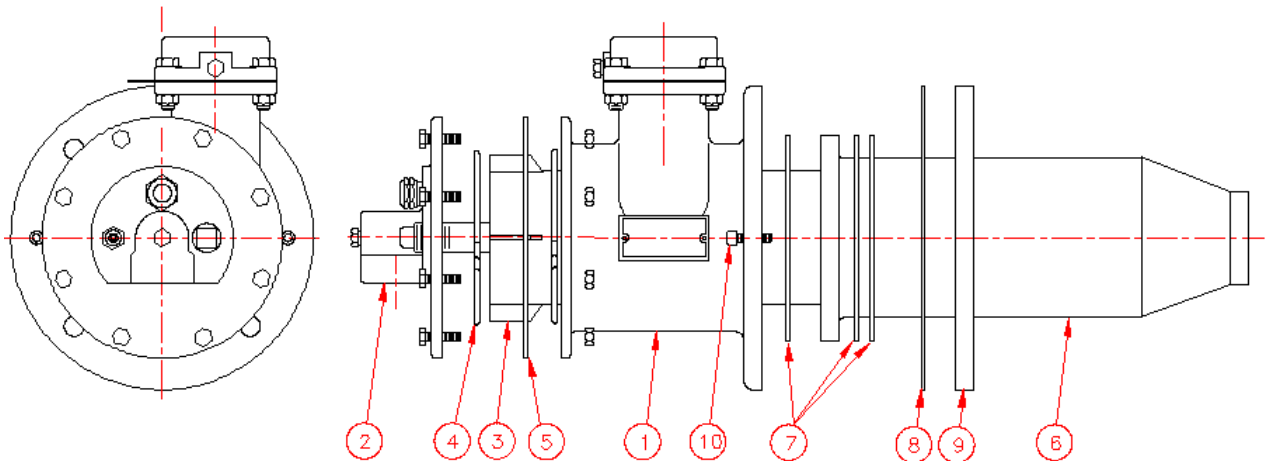
Assembly of Inner Tube:

- 1) Remove the backplate assembly, item 2, from the burner body, item 1.
- 2) Remove the clip ring, item 4, from the burner body.
- 3) Carefully insert the SiC ceramic inner tube, item 3, into the burner body.
- 4) Replace the clip ring into the machined groove in the burner body.
- 5) Carefully slide the backplate assembly, item 2, into the inner tube and burner body. Insert the bolts and tighten in a criss cross pattern until they are relatively tight. The soft gasket will compress until it is less than 1/32" thick. This is normal for this type gasket material.

Replacement of Outer Tube:

- 1) In the mounting flange of the burner body, item 1, there is a machined groove that the outer tube, item 6, will fit into. First place one soft gasket, item 7, into the machined groove. Next the outer tube should be carefully installed over the inner tube and into the machined groove. By eye, center the outer tube with respect to the inner tube.
- 2) Place one hard gasket, item 8, over the outer tube and onto the mounting flange of the burner body. Align the four mounting holes and two smaller holes for the flange retention screws.
- 3) Place two soft gaskets, item 7, over the outer tube and center them by eye on the flange of the outer tube.
- 4) Slide the outer tube holding flange, item 9, over the outer tube being careful not to disturb the position of the soft gaskets or the outer tube. Carefully align the mounting holes and retention screw holes. Insert the retention screws, item 10, and tighten in a criss cross pattern until the holding flange is tight against the hard gasket.

The burner assembly is ready for installation.



CAUTION: Operation of combustion equipment can be hazardous resulting in bodily injury or equipment damage. Each burner should be supervised by a combustion safeguard and only qualified personnel should install, make system adjustments and perform any required service.

CAUTION: Operation of combustion equipment can be hazardous resulting in bodily injury or equipment damage. Each burner should be supervised by a combustion safeguard and only qualified personnel should install, make system adjustments and perform any required service.



pyronics inc.
COMBUSTION FOR INDUSTRY

17700 MILES AVE.
CLEVELAND, OHIO 44128
www.pyronics.com

PHONE: (216) 662-8800
FAX: (216) 663-8954
marketing@pyronics.com

NOTICE: Pyronics practices a policy of continuous improvement in the design of its products. It reserves the right to change the specifications at any time without prior notice.