

LOJECTORS (ATMOSPHERIC GAS INJECTORS)

MODEL: 2101-LA, 2101-LAC
2102-L, 2102-LC

Revision: 0

BULLETIN
2101, 2102

ADJUSTABLE ORIFICE SERIES

CATALOG NUMBERS		Outlet Pipe Size NPT	Inlet Pipe Size NPT	CAPACITIES - 1000's Btu/hr. Various Gases - See Note		
With Gas Cock	Without Gas Cock			Mfd. 500 Btu 3" w.c.	Nat. 1000 Btu 6" w.c.	LP 2500-3200 Btu 10" w.c.
6LA3C	6LA3	3/4"	3/8"	35	22	16
8LA3C	8LA3	1"	3/8"	57	38	25
10LA4C	10LA4	1-1/4"	1/2"	82	55	40
12LA4C	12LA4	1-1/2"	1/2"	105	70	52
16LA8C	16LA8	2"	1"	165	110	87
20LA8C	20LA8	2-1/2"	1"	250	175	125
24LA8C	24LA8	3"	1"	375	250	185



10LA4C LOJECTOR

FIXED ORIFICE SERIES

CATALOG NUMBERS		Outlet Pipe Size NPT	Inlet Pipe Size NPT	CAPACITIES - 1000's Btu/hr. Various Gases - See Note		
With Gas Cock	Without Gas Cock			Mfd. 500 Btu 3" w.c.	Nat. 1000 Btu 6" w.c.	LP 2500-3200 Btu 10" w.c.
16L8C	16L8	2"	1"	165	110	87
20L8C	20L8	2-1/2"	1"	250	175	125
24L8C	24L8	3"	1"	375	250	185
32L10C	32L10	4"	1-1/4"	750	500	375
48L12C	48L12	6"	1-1/2"	1550	1020	760



16L8C LOJECTOR

Note: Capacities are based on the following:

- Burners will be supplied with ample secondary air.
- There is no appreciable friction loss between the mixer and burner due to excessive length, bends or reduction of pipe sizes.
- Burners used must be properly sized to handle required capacity based on:
 - 50,000 Btu/hr/square inch port area for Manufactured Gases
 - 30,000 Btu/hr/square inch port area for Natural Gases
 - 20,000 Btu/hr/square inch port area for L.P. Gases
- Capacity ratings may be more than doubled for applications using A.N. type nozzles and drafts of 0.2" w.c. and higher.

CAUTION: Operation of combustion equipment can be hazardous resulting in bodily injury or equipment damage. Each burner should be supervised by a combustion safeguard and only qualified personnel should install, make system adjustments and perform any required service.



pyronics inc.

COMBUSTION FOR INDUSTRY

17700 MILES ROAD
CLEVELAND, OH 44128
www.pyronics.com

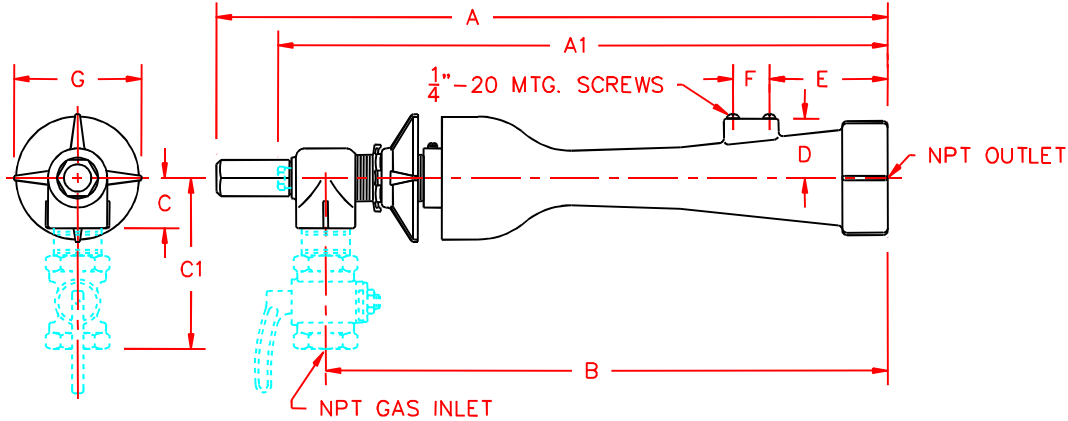
Tel: 216-662-8800
Fax: 216-663-8954
marketing@pyronics.com

NOTICE: PYRONICS practices a policy of continuous improvement in the design of its products. It reserves the right to change the specifications at any time without prior notice.

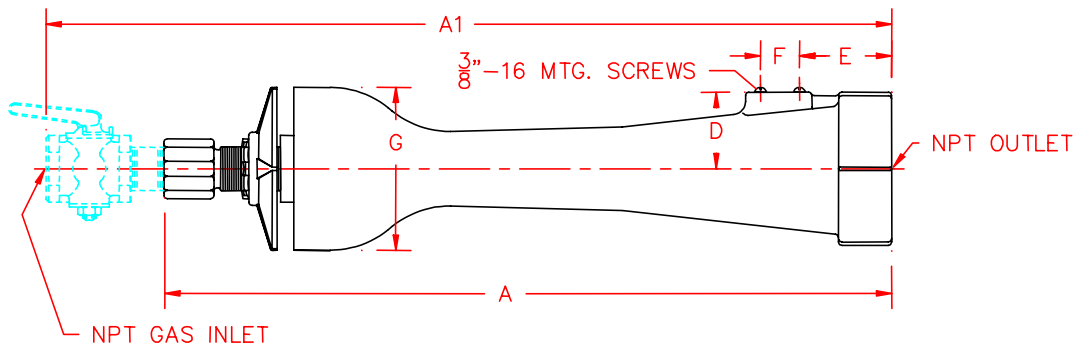
LOJECTORS ATMOSPHERIC GAS INJECTORS

BULLETIN
2101, 2102
PAGE NO.2

ADJUSTABLE ORIFICE SERIES & FIXED 16-24 L8C SERIES -- DIMENSIONS



FIXED ORIFICE 32 L10C & 48 L12C SERIES ONLY -- DIMENSIONS



CATALOG NUMBERS		Outlet Pipe Size NPT	Inlet Pipe Size NPT	A	A1	B	C	C1	D	E	F	G	Weight
With Gas Cock	Without Gas Cock												With Gas Cock
													Lbs.
6LA3C	6LA3	3/4	3/8	9-7/16	-----	7-7/16	9/16	2-7/16	15/16	1-1/2	-----	2-3/16	2.0
8LA3C	8LA3	1	3/8	9-7/16	-----	7-7/16	9/16	2-7/16	15/16	1-1/2	-----	2-3/16	2.0
10LA4C	10LA4	1-1/4	1/2	12-1/16	-----	10-13/16	7/8	3-7/16	1-1/4	2-3/4	1	2-1/2	5.0
12LA4C	12LA4	1-1/2	1/2	12-1/16	-----	10-13/16	7/8	3-7/16	1-1/4	2-3/4	1	2-1/2	5.0
16LA8C	16LA8	2	1	18-7/16	-----	15-7/16	1-3/8	4-11/16	1-5/8	3-1/4	1	3-1/2	10.0
20LA8C	20LA8	2-1/2	1	20-15/16	-----	17-15/16	1-3/8	4-11/16	1-15/16	3-1/4	1	3-15/16	13.0
24LA8C	24LA8	3	1	23-11/16	-----	20-11/16	1-3/8	4-11/16	2-1/4	3-1/4	1	4-3/4	20.0
16L8C	16L8	2	1	-----	-----	17-1/16	15-7/16	1-3/8	4-11/16	1-5/8	3-1/4	3-1/2	10.5
20L8C	20L8	2-1/2	1	-----	-----	19-9/16	17-15/16	1-3/8	4-11/16	1-15/16	3-1/4	3-15/16	13.0
24L8C	24L8	3	1	-----	-----	22-5/16	20-11/16	1-3/8	4-11/16	2-1/4	3-1/4	4-3/4	20.0
32L10C	32L10	4	1-1/4	27-3/8	31-13/16	-----	-----	-----	2-7/8	3-1/2	1-1/2	6-1/8	28.5
48L12C	48L12	6	1-1/2	37-1/16	41-11/16	-----	-----	-----	4	4-1/8	2	8-3/4	78.5

NOTE: All dimensions are in inches.

ORDERING INFORMATION

In order to promptly complete your order we suggest that you give the following information:

1. Number of Lojectors required.
2. Catalog number of each.
3. Kind of gas and pressure available.
4. Orifice size if we are not to furnish standard for gas shown.
5. Shipping instructions.

If you are in doubt as to size or use, send full information about burner type, size and port area so we can assist you in selecting correctly sized Lojector.