

# FLANGED ORIFICES ADJUSTABLE

MODEL: 1601 - GAF

Revision: 0

BULLETIN  
1601

## DESCRIPTION

Pyronics Flanged Adjustable Orifices are designed for setting gas and/or air flow on combustion systems. The cylindrical plug valve has a micrometer type screw thread adjusting stem. This fine running thread permits very fine control of valve position and gas flow.

The 12 GAF 16 and larger adjuster stems are furnished with a lock nut for positive fixing of the valve position. The entire adjusting assembly is furnished with a cap with an O-ring to prevent tampering and leakage.

Pyronics standard four bolt flanges are used on the down stream side of all adjustable orifices. These flanges are equipped with 1/8" NPT tapings for pressure measurements. A wide variety of inlet and outlet pipe sizes are available.

Capacities listed in the dimension table are for 0.60 specific gravity gas. Conversion of these capacities to other gravities or pressure drops is in accordance to standard formula.

## CAPACITY TABLE

Model No.	Pipe Size		Capacity SCFH 0.60 Sp. Gr.		
	Inlet NPT (in.)	Outlet NPT (in.)	1/2" W.C. Drop	4" W.C. Drop	1 psig Drop
4 GAF 6	1/2	3/4	270	780	2,060
6 GAF 6	3/4	3/4			
6 GAF 8	3/4	1			
8 GAF 8	1	1			
10 GAF 10	1-1/4	1-1/4	580	1,640	4,320
10 GAF 12	1-1/4	1-1/2			
12 GAF 12	1-1/2	1-1/2			
12 GAF 16	1-1/2	2	1,030	2,920	7,700
16 GAF 16	2	2			
16 GAF 20	2	2-1/2	1,580	4,460	11,750
20 GAF 20	2-1/2	2-1/2			
20 GAF 24	2-1/2	3	2,290	6,430	16,900
24 GAF 24	3	3			
24 GAF 32	3	4	5,120	14,450	38,000
32 GAF 32	4	4			



8 GAF 8 ADJUSTABLE ORIFICE



16 GAF 12 ADJUSTABLE ORIFICE

## FEATURES

- Flanged Adjustable limit orifice valve.
- Gas tight construction – “O” ring sealed valve.
- Rated for 5 psig service – gas or air.
- Rising stem micro-control adjustable.
- Lock nut for positive valve position.
- Rugged cast iron construction.
- Available in a wide variety of inlet and outlet sizes.

CAUTION: Operation of combustion equipment can be hazardous resulting in bodily injury or equipment damage. Each burner should be supervised by a combustion safeguard and only qualified personnel should install, make system adjustments and perform any required service.



**pyronics inc.**

COMBUSTION FOR INDUSTRY

17700 MILES ROAD  
CLEVELAND, OH 44128  
www.pyronics.com

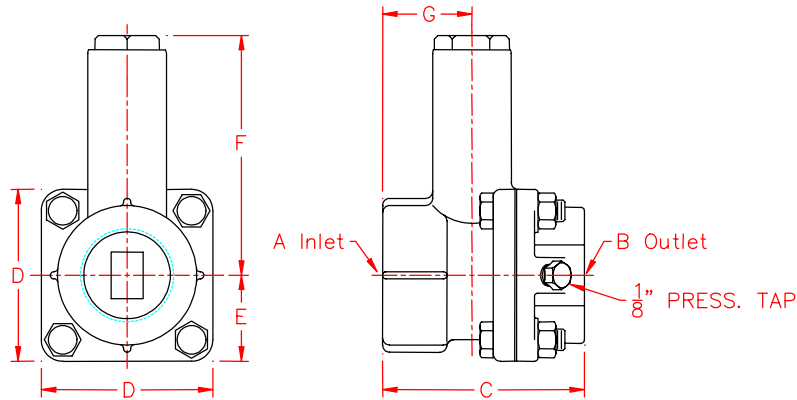
Tel: 216-662-8800  
Fax: 216-663-8954  
marketing@pyronics.com

NOTICE: PYRONICS practices a policy of continuous improvement in the design of its products. It reserves the right to change the specifications at any time without prior notice.

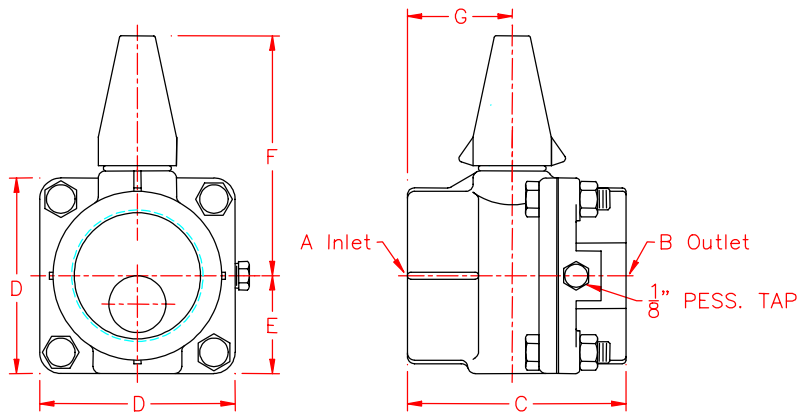
# FLANGED ORIFICES ADJUSTABLE

BULLETIN 1601  
PAGE NO.2

## DIMENSIONS



### 4 GAF 6 TO 12 GAF 12



### 12 GAF 16 TO 32 GAF 32

Model No.	A Inlet	B Outlet	C	D	E	F	G	WEIGHT	
								LBS.	KGS.
4 GAF 6	1/2	3/4	2-5/8	2-3/8	1-1/4	3-3/8	1-1/4	1.75	0.79
6 GAF 6	3/4	3/4							
6 GAF 8	3/4	1							
8 GAF 8	1	1	3-1/2	3	1-1/2	4-1/4	1-5/8	3.50	1.60
10 GAF 10	1-1/4	1-1/4							
10 GAF 12	1-1/4	1-1/2							
12 GAF 12	1-1/2	1-1/2	3-7/8	3-1/2	1-3/4	4-1/4	1-7/8	5.50	2.50
12 GAF 16	1-1/2	2							
16 GAF 16	2	2							
16 GAF 20	2	2-1/2	4-5/8	4	2	4-1/2	2-3/8	9.50	4.30
20 GAF 20	2-1/2	2-1/2							
20 GAF 24	2-1/2	3							
24 GAF 24	3	3	5-1/2	4-3/8	2-1/4	5-7/8	2-3/4	28.00	12.50
24 GAF 32	3	4							
32 GAF 32	4	4							

Note: All dimensions are in inches.

## ORDERING INFORMATION

1. Specify Model Number and Quantity
2. Shipping Instructions