

# VALVES THREADED BUTTERFLY PNEUMATIC PACKAGE

MODEL: 1313-TBV-CPAP

Revision: 0

BULLETIN  
1313

## DESCRIPTION

The TBV-CPAP pneumatic operated butterfly valves are used for modulating air and gas flows for most types of combustion systems. A unique "O"-Ring seal prevents leakage around the shaft. Available from 1" to 6" pipe sizes.

The valve crank rotates through an 80° arc. Disc position is indicated by a slot on the disc shaft relative to the nameplate scale. The mounting bracket is pre-drilled for a Pyronics PA-6 pneumatic actuator (see Bulletin 1701).

The TBV-CPAP includes the butterfly valve, actuator mounting bracket, valve crank arm, and an adjustable linkage.



## CAPACITY TABLE

Model Number	Pipe Size NPT (in.)	SCFH Air Wide Open Capacity at 1" W.C. Pressure Drop
8TBV-CPAP	1	1,900
10TBV-CPAP	1-1/4	2,600
12TBV-CPAP	1-1/2	3,100
16TBV-CPAP	2	6,300
20TBV-CPAP	2-1/2	8,500
24TBV-CPAP	3	13,000
32TBV-CPAP	4	28,000
48TBV-CPAP	6	86,000

## FEATURES

- Economical pneumatic flow control valve
- For most fuel gases and air
- Double bearing shaft - positive alignment
- "O"-Ring sealed shaft
- Disc position indicator
- Cast iron body and steel disc
- Lubricated swivel joints
- Easily adjustable

CAUTION: Operation of combustion equipment can be hazardous resulting in bodily injury or equipment damage. Each burner should be supervised by a combustion safeguard and only qualified personnel should install, make system adjustments and perform any required service.



**pyronics inc.**

COMBUSTION FOR INDUSTRY

17700 MILES ROAD  
CLEVELAND, OH 44128  
www.pyronics.com

Tel: 216-662-8800  
Fax: 216-663-8954  
marketing@pyronics.com

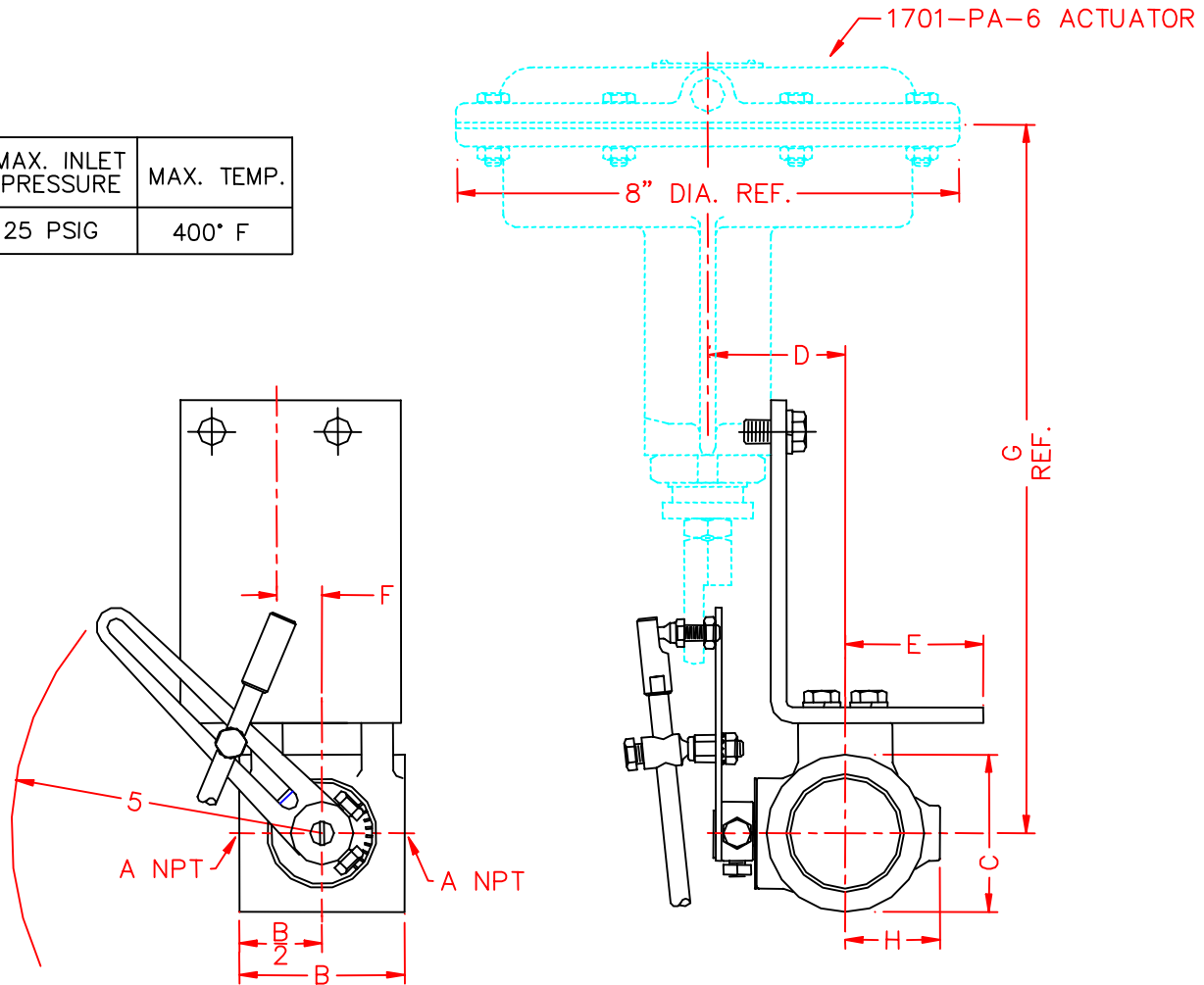
NOTICE: PYRONICS practices a policy of continuous improvement in the design of its products. It reserves the right to change the specifications at any time without prior notice.

# VALVES THREADED BUTTERFLY PNEUMATIC PACKAGE

BULLETIN 1313  
PAGE NO.2

## DIMENSIONS

MAX. INLET PRESSURE	MAX. TEMP.
25 PSIG	400° F



Model Number	A	B	C	D	E	F	G	H	Weight	
									Lbs.	Kgs.
8TBV-CPAP	1	2-5/8	2 HEX	2-1/8	2-1/4	3/8	11	1-5/16	4.4	2.0
10TBV-CPAP	1-1/4	2-5/8	2-1/4 HEX	2-1/8	2-1/4	3/8	11-1/4	1-3/8	4.5	2.1
12TBV-CPAP	1-1/2	2-5/8	2-1/2	2-3/16	2-3/16	3/4	11-1/4	1-1/2	4.5	2.1
16TBV-CPAP	2	3	3	2-3/8	2	3/4	11-1/2	1-3/4	5.5	2.5
20TBV-CPAP	2-1/2	3-1/2	3-7/8	2-7/8	1-1/2	3/4	12-1/4	2-1/8	8.7	4.3
24TBV-CPAP	3	3-7/8	4-1/2	3-1/8	1-1/4	3/4	12-1/2	2-7/16	11.5	5.2
32TBV-CPAP	4	4-1/4	5-3/8	5	----	5/8	11-1/4	3	12.0	5.4
48TBV-CPAP	6	5-1/8	7-7/8	3-7/8	----	5/8	12-7/8	4-1/4	29.0	13.0

NOTE: All dimensions are in inches.

## ORDERING INFORMATION

1. Specify Model Number and Quantity
2. Shipping Instructions