

# BUTTERFLY VALVES THREADED

MODEL: 1311 - TBV

Revision: 0

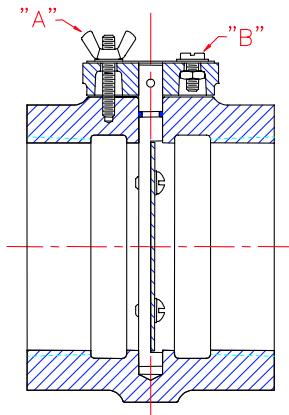
BULLETIN  
1311

## DESCRIPTION

Model 1311 Manual Threaded Butterfly Valves are designed to control the flow of air or gas. Bodies are rugged cast iron construction, discs are plated steel with shafts machined from steel or brass. 6 TBV has plated steel hexagonal body.

A unique "O" ring seal prevents leakage around the shaft. The large, easy grip handle makes for easy adjustment. Valve position is maintained by thumb screw lock. Adjustable limit stops control maximum and minimum flow.

Thousands are in use on a myriad of applications including: industrial furnaces, kilns, atmosphere generators, etc. Models are available for electric or pneumatic actuator operation (see Bulletins 1312 and 1313).



## CAPACITY TABLE

Model No.	Pipe Size NPT (in.)	SCFH Air Wide Open Capacity at 1" W.C. Pressure Drop
6 TBV	3/4	770
8 TBV	1	1,900
10 TBV	1-1/4	2,600
12 TBV	1-1/2	3,100
16 TBV	2	6,300
20 TBV	2-1/2	8,500
24 TBV	3	13,000
32 TBV	4	28,000
48 TBV	6	86,000

## OPERATING INSTRUCTIONS

To change disc position, loosen thumb screw "A" and rotate handle. Retighten thumb screw to lock disc. Loosen, but do not remove, limit stop bolts "B" from captive nuts and reposition for desired maximum and minimum positions. Retighten.



6 TBV



8 TBV THRU 48 TBV

## FEATURES

- Economical manual flow control valve.
- For most fuel gases and air.
- High pressure operation -- rated to 25 psig.
- Double bearing shaft -- positive alignment.
- "O" ring sealed shaft.
- Thumb screw lock -- holds disc position.
- Adjustable limit stops -- both high and low flow.
- Disc position indicator on name plate.
- Cast iron body and steel disc.
- Large, easy-grip dial handle.

CAUTION: Operation of combustion equipment can be hazardous resulting in bodily injury or equipment damage. Each burner should be supervised by a combustion safeguard and only qualified personnel should install, make system adjustments and perform any required service.



**pyronics inc.**

COMBUSTION FOR INDUSTRY

17700 MILES ROAD  
CLEVELAND, OH 44128  
www.pyronics.com

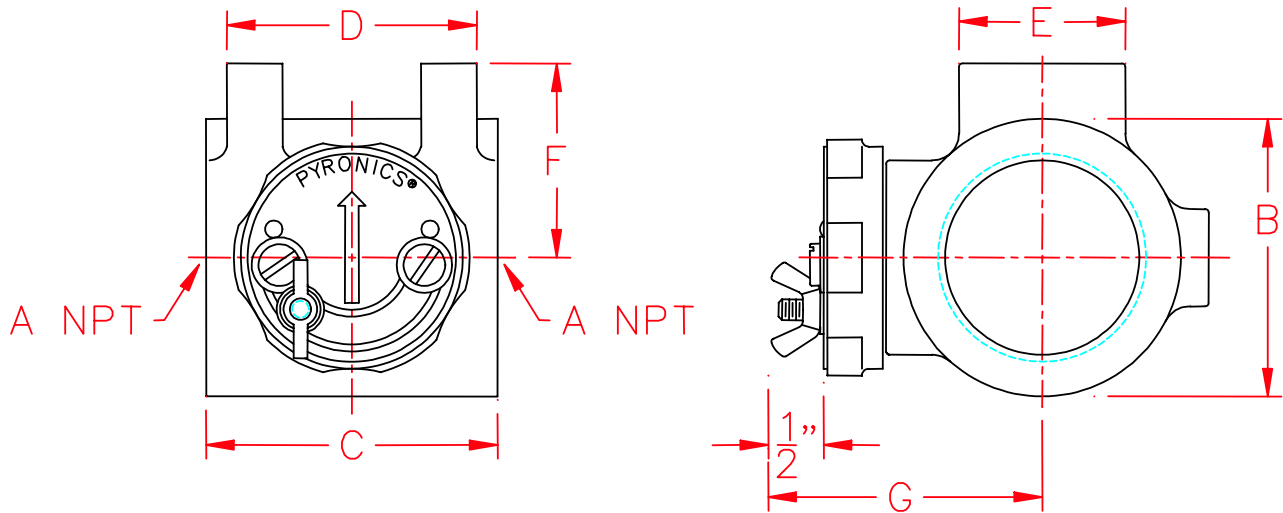
Tel: 216-662-8800  
Fax: 216-663-8954  
marketing@pyronics.com

NOTICE: PYRONICS practices a policy of continuous improvement in the design of its products. It reserves the right to change the specifications at any time without prior notice.

# BUTTERFLY VALVES THREADED

BULLETIN 1311  
PAGE NO. 2

## DIMENSIONS



Model No.	A	B	C	D	E	F	G	WEIGHT	
								LBS.	KGS.
6 TBV	3/4	1-3/4 HEX	2-1/2	-----	-----	-----	1-7/8	1.5	0.81
8 TBV	1	2 HEX	2-5/8	1-1/2	1-1/2	1-1/2	2-1/4	2.2	1.00
10 TBV	1-1/4	2-1/4 HEX	2-5/8	1-9/16	1-9/16	1-3/4	2-3/8	2.5	1.14
12 TBV	1-1/2	2-1/2	2-5/8	2-1/4	1-1/2	1-3/4	2-1/2	2.4	1.09
16 TBV	2	3	3	2-1/4	1-3/4	2-1/16	2-3/4	3.4	1.54
20 TBV	2-1/2	3-13/16	3-1/2	2-1/2	2	2-3/4	3-1/4	6.6	3.00
24 TBV	3	4-1/2	3-7/8	2-1/2	3	3	3-7/16	9.3	4.22
32 TBV	4	5-3/8	4-1/4	2-1/2	3-3/4	2-13/16	3-15/16	9.2	4.18
48 TBV	6	7-7/8	5-1/8	3-1/4	5	4-1/2	5-5/16	27.1	12.30

NOTE: All dimensions are in inches.

## ORDERING INFORMATION

1. Specify Model Number and Quantity
2. Shipping Instructions