

VALVES THREADED BUTTERFLY HIGH TEMPERATURE

MODEL: 1310 - TBV - HT

Revision: 0

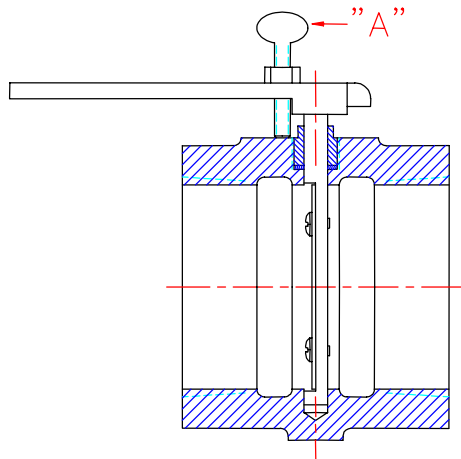
BULLETIN
1310

DESCRIPTION

Model 1310 High Temperature Butterfly Valves are designed to control the flow of air or gas. Bodies are rugged cast iron construction, discs are plated steel with shafts machined from steel.

A special graphite impregnated packing prevents leakage around the shaft. Can easily be converted to a motorized valve using the same handle.

High temperature applications: glass lears, kilns, melting furnaces and preheated air systems.



FEATURES

- Economical manual flow control valve.
- For most fuel gases and air.
- High pressure operation -- rated to 25 psig.
- 750 °F maximum operating temperature.
- Double bearing shaft -- positive alignment.
- High temperature packing.
- Brass packing gland.
- High temperature plated disc.
- Thumb screw lock -- holds disc position.
- Disc position indicator on handle.
- Cast iron body.
- Large, easy-grip brass handle.

CAPACITY TABLE

Model Number	Pipe Size NPT (in.)	SCFH Air Wide Open Capacity at 1" W.C. Pressure Drop
10 TBV-HT	1-1/4	2,600
12 TBV-HT	1-1/2	3,100
16 TBV-HT	2	6,300
20 TBV-HT	2-1/2	8,500
24 TBV-HT	3	13,000
32 TBV-HT	4	28,000
48 TBV-HT	6	86,000

OPERATING INSTRUCTIONS

To change disc position, loosen thumb screw "A" and rotate handle. Retighten thumb screw to lock in position.

CAUTION: Operation of combustion equipment can be hazardous resulting in bodily injury or equipment damage. Each burner should be supervised by a combustion safeguard and only qualified personnel should install, make system adjustments and perform any required service.



pyronics inc.

COMBUSTION FOR INDUSTRY
17700 MILES ROAD
CLEVELAND, OH 44128
www.pyronics.com

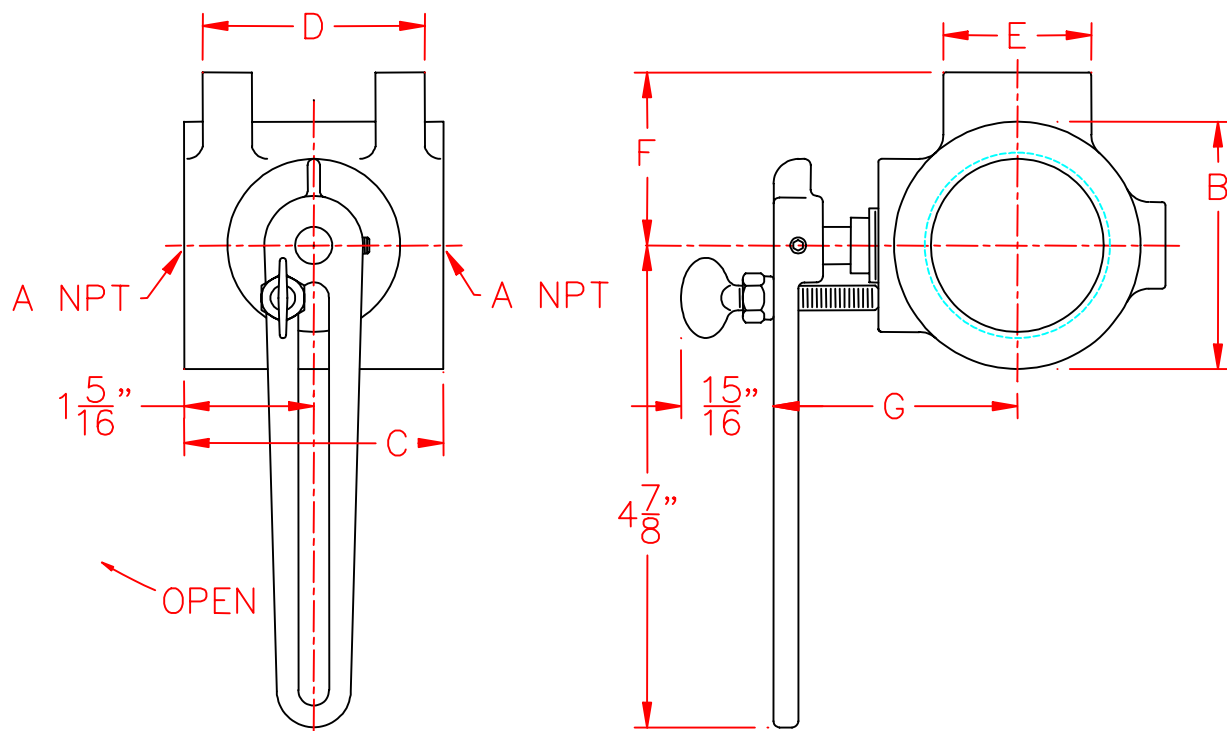
Tel: 216-662-8800
Fax: 216-663-8954
marketing@pyronics.com

NOTICE: PYRONICS practices a policy of continuous improvement in the design of its products. It reserves the right to change the specifications at any time without prior notice.

VALVES THREADED BUTTERFLY HIGH TEMPERATURE

BULLETIN 1310
PAGE NO.2

DIMENSIONS



Model Number	A	B	C	D	E	F	G	Weight	
								Lbs.	Kgs.
10TBV-HT	1-1/4	2-1/4	2-5/8	1-9/16	1-9/16	1-3/4	2-1/4	2.6	1.18
12TBV-HT	1-1/2	2-1/2	2-5/8	2-1/4	1-1/2	1-3/4	2-1/2	2.5	1.13
16TBV-HT	2	3	3	2-1/4	1-3/4	2-1/16	2-11/16	3.5	1.59
20TBV-HT	2-1/2	3-13/16	3-1/2	2-1/2	2	2-3/4	3-1/4	6.7	3.04
24TBV-HT	3	4-1/2	3-7/8	2-1/2	3	3	3-7/16	9.4	4.26
32TBV-HT	4	5-3/8	4-1/4	2-1/2	3-3/4	2-13/16	3-15/16	9.3	4.22
48TBV-HT	6	7-7/8	5-1/8	3-1/4	5	4-1/2	5-3/8	27.2	12.34

NOTE: All dimensions are in inches.

ORDERING INFORMATION

1. Specify Model Number and Quantity
2. Shipping Instructions